

PRODUCT INFORMATION PACKET

Model No: 256TPFSA10087

Catalog No: SY011

20 HP Permanent Magnet (PMAC) Motor, 3 phase, 1800 RPM, 460 V, 256TC Frame, TEFC
SyMAX - Permanent Magnet AC Motors





Nameplate Specifications

Output HP	20 Hp	Output KW	14.9 kW
Frequency	120 Hz	Voltage	460 V
Current	24.0 A	Speed	1800 rpm
Service Factor	1	Phase	3
Efficiency	94.5 %	Power Factor	80
Duty	Continuous	Insulation Class	H
Design Code	No Design Code	KVA Code	NO KVA CODE
Frame	256TC	Enclosure	Totally Enclosed Fan Cooled
Thermal Protection	Thermostats 140 deg. C (N/C)	Ambient Temperature	40 °C
Drive End Bearing Size	6309	Opp Drive End Bearing Size	6210
UL	Recognized	CSA	Y
CE	Y	IP Code	54

Technical Specifications

Electrical Type	AC Permanent Magnet	Starting Method	Inverter Only
Poles	8	Rotation	Reversible
Resistance Main	0 Ohms	Mounting	Rigid Base
Motor Orientation	Horizontal	Drive End Bearing	Ball
Opp Drive End Bearing	Ball	Frame Material	Cast Iron
Shaft Type	T	Overall Length	25.68 in
Frame Length	12.25 in	Shaft Diameter	1.625 in
Shaft Extension	3.75 in	Assembly/Box Mounting	F1 ONLY
Connection Drawing	A-EE7300T	Outline Drawing	B-SS203152-1225

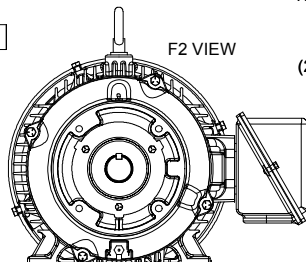
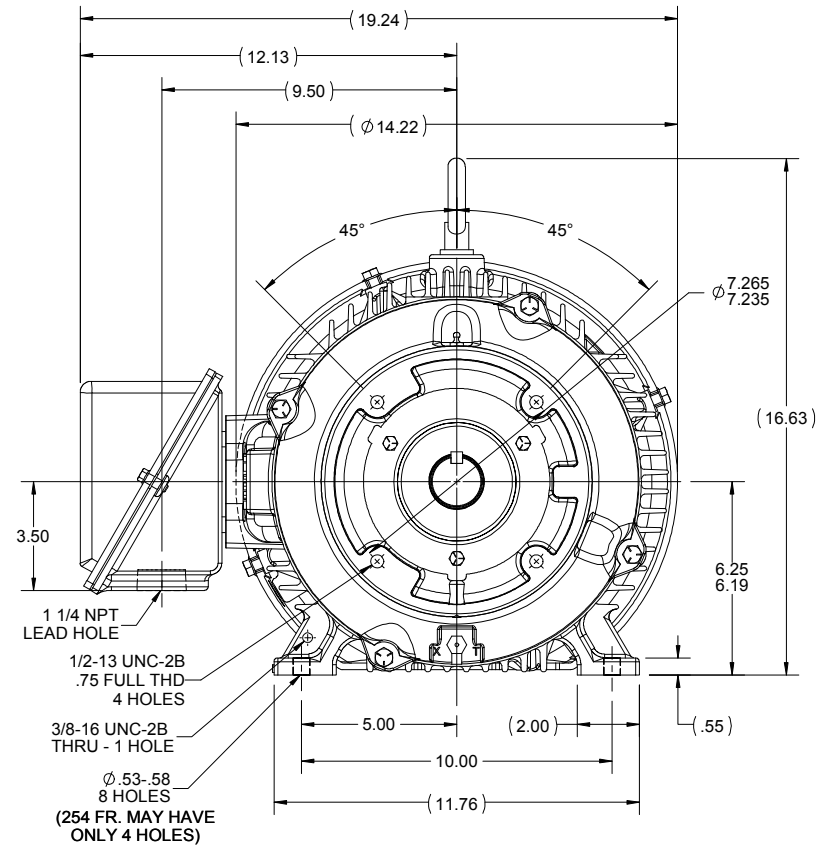
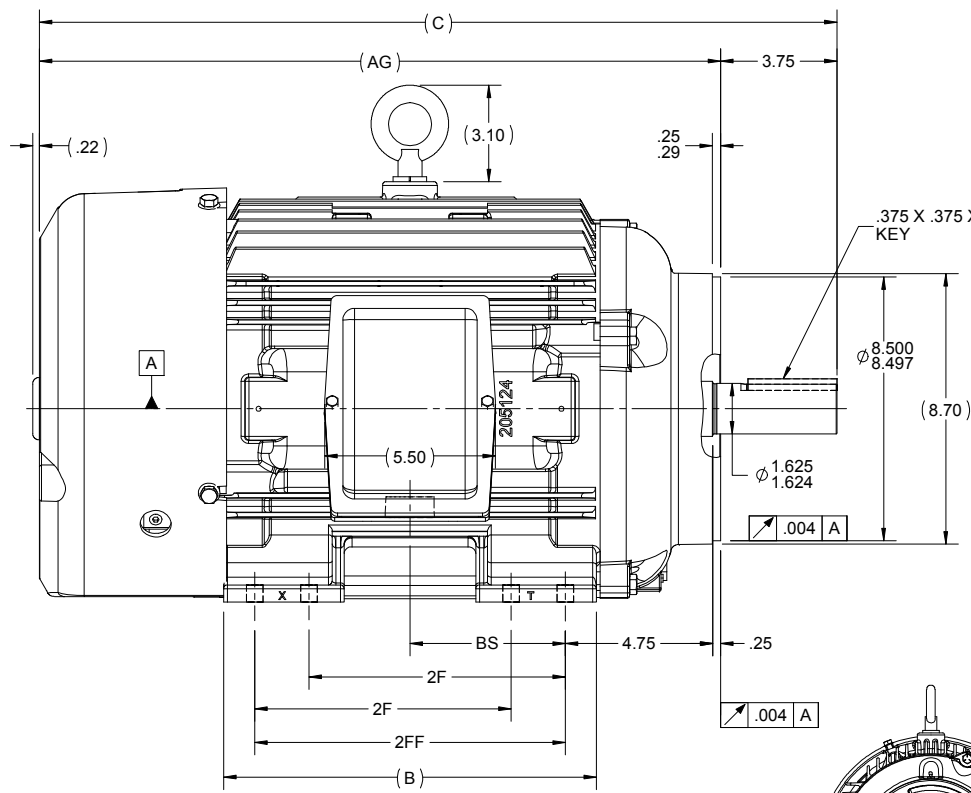
This is an uncontrolled document once printed or downloaded and is subject to change without notice. Date Created:03/11/2020

4

3

2

1



- NOTES:
1. CONDUIT BOX CAN BE ROTATED IN 90° STEPS.
 2. CONDUIT BOX CAN BE MOUNTED ON OPPOSITE SIDE BY REMOVING BRACKETS AND TURNING FRAME 180°. (NOT FIELD MODIFIABLE ON PMAC MOTORS)
 3. NAMEPLATES TO BE READ FROM CONDUIT BOX SIDE OF MOTOR.

DASH	FRAME	B	C	AG	2F	2FF	BS
1050	254TC	10.25	23.93	20.18	8.25	-----	4.12
1225	254/256TC	12.00	25.68	21.93	8.25	10.00	5.00

DRAWING REVISION H	REVISION BY W. JOERGER	DATE 04-25-2019
ECO ECO-0166058	APPROVED BY T. BROWN	DATE 04-25-2019
ECO DESCRIPTION ADDED "BS" DIMENSION		
<small>COPYRIGHT REGAL BELOIT AMERICA, INC. ALL RIGHTS RESERVED. PROPRIETARY AND CONFIDENTIAL INFORMATION - THIS DOCUMENT IS THE PROPERTY OF REGAL BELOIT AMERICA, INC. ("OWNER") AND CONTAINS OWNERS PROPRIETARY INFORMATION. ANY PERSON, CORPORATION OR OTHER FIRM RECEIVING IT IS DEEMED, BY RECEIVING IT, TO AGREE THAT IT, AND/OR ANY PART OF IT, SHALL NOT BE DISCLOSED TO ANY PERSON, CORPORATION OR OTHER ENTITY, DUPLICATED, AND/OR USED, EXCEPT AS EXPRESSLY APPROVED IN WRITING IN ADVANCE BY OWNER. THIS DOCUMENT SHALL BE RETURNED TO OWNER UPON REQUEST. IT MAY BE SUBJECT TO CERTAIN RESTRICTIONS UNDER APPLICABLE EXPORT CONTROL LAWS AND REGULATIONS.</small>		

TOLERANCES UNLESS OTHERWISE SPECIFIED:

DEC.	INCH	mm	ANGLE
-X	+0.1	[+2.5]	±7-30°
.XX	+0.03	[+0.76]	
.XXX	+0.005	[+0.127]	
.XXXX	+0.0005	[+0.0127]	

REMOVE BURRS & BREAK SHARP EDGES: .003/.015 [0.076/.381] X 45°
 CORNER FILLETS: R.02 [51]
 MACHINED SURFACES: 200 INCH/mm 5.1
 mm SHOWN IN [BRACKETS]

DRAWN BY PKG	DATE 09-03-1996
APPROVED BY BW	DATE 09-06-1996
REFERENCE	THIRD ANGLE PROJECTION

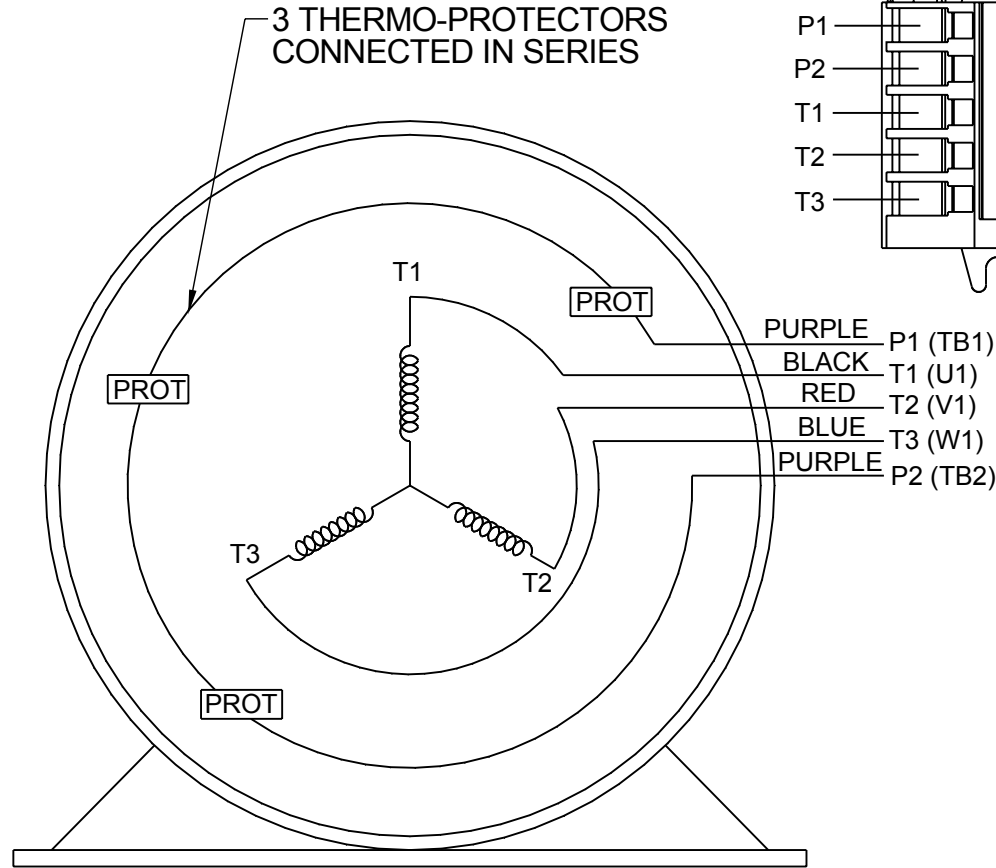
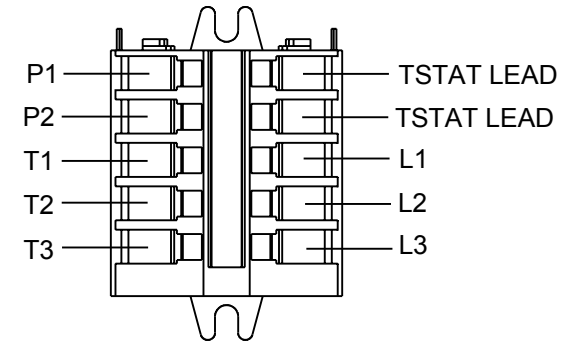
Regal Beloit America, Inc.	
DESCRIPTION OUTLINE	
250TC FR - TEFC - BB - TS - C'FACE - TFNA - CAST C'BOX	
MATERIAL	PROCESS/FINISH
SIZE B	DRAWING NUMBER SS203152
	SHEET 1 OF 1

**THREE PHASE - SINGLE VOLTAGE
MOTOR - CONDUIT BOX @ 'A'**

**TO REVERSE ROTATION:
INTERCHANGE ANY TWO LINE
LEAD CONNECTIONS**

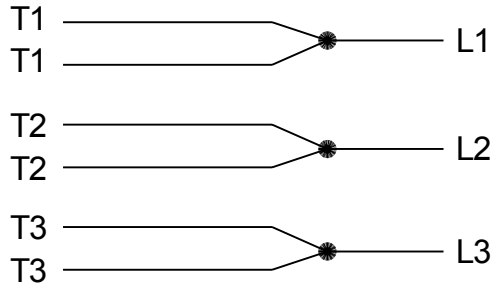
**NOTE FOR FACTORY USE ONLY:
TO SURGE TEST:
FOR 3 LEAD COMMON CONNECT:
CONNECT P1 TO T1 THEN P2 TO L1
FOR 6 LEAD COMMON CONNECT:
CONNECT P1 TO BOTH T1
THEN P2 TO L1**

TERMINAL BLOCK WHEN SPECIFIED



VIEW OF TERMINAL END

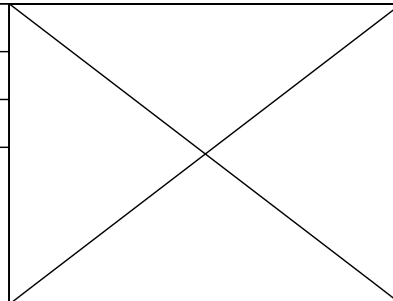
**IF MOTOR HAS MULTIPLE
T'S PER LEAD CONNECT
TOGETHER LIKE T'S**



A-9806 DECAL

- T2BM
- T6AW
- T6AL
- T6Z
- T4EG
- T4BF
- T8A
- T6H
- T6A
- T4AX
- T4A
- T2A
- T2F

DRAWING REVISION AB	REVISION BY AJW	DATE 07-17-2015
ECO ECO-0081632	APPROVED BY T.VUE	DATE 07-17-2015
ECO DESCRIPTION REV'D IEC MARKINGS PER IEC-60034-8		
<small>COPYRIGHT REGAL BELOIT AMERICA, INC. ALL RIGHTS RESERVED. PROPRIETARY AND CONFIDENTIAL INFORMATION - THIS DOCUMENT IS THE PROPERTY OF REGAL BELOIT AMERICA, INC. ("OWNER") AND CONTAINS OWNER'S PROPRIETARY INFORMATION. ANY PERSON, CORPORATION OR OTHER FIRM RECEIVING IT IS DEEMED, BY RECEIVING IT, TO AGREE THAT IT, AND/OR ANY PART OF IT, SHALL NOT BE DISCLOSED TO ANY PERSON, CORPORATION OR OTHER ENTITY, DUPLICATED, AND/OR USED, EXCEPT AS EXPRESSLY APPROVED IN WRITING IN ADVANCE BY OWNER. THIS DOCUMENT SHALL BE RETURNED TO OWNER UPON REQUEST. IT MAY BE SUBJECT TO CERTAIN RESTRICTIONS UNDER APPLICABLE EXPORT CONTROL LAWS AND REGULATIONS.</small>		



DRAWN BY LZ	Regal Beloit America, Inc.
DATE 01-04-1994	
APPROVED BY GK	DESCRIPTION CONN DIAGRAM-EXTERNAL 3Ø-SINGLE VOLT-MOTOR WITH PROTECTOR
DATE 01-20-1994	MATERIAL
REFERENCE	PROCESS/FINISH
THIRD ANGLE PROJECTION	SIZE A
	DRAWING NUMBER EE7300T
	SHEET 1 OF 1

NONE	P/N	NONE	
NONE	NONE		
NONE FT-LB	NONE V	NONE Hz	

DATE: 06/23/2017 05:00:27 AM
FORM 3531 REV.3 02/07/99
** Subject to change without notice.